

1

2

3

4

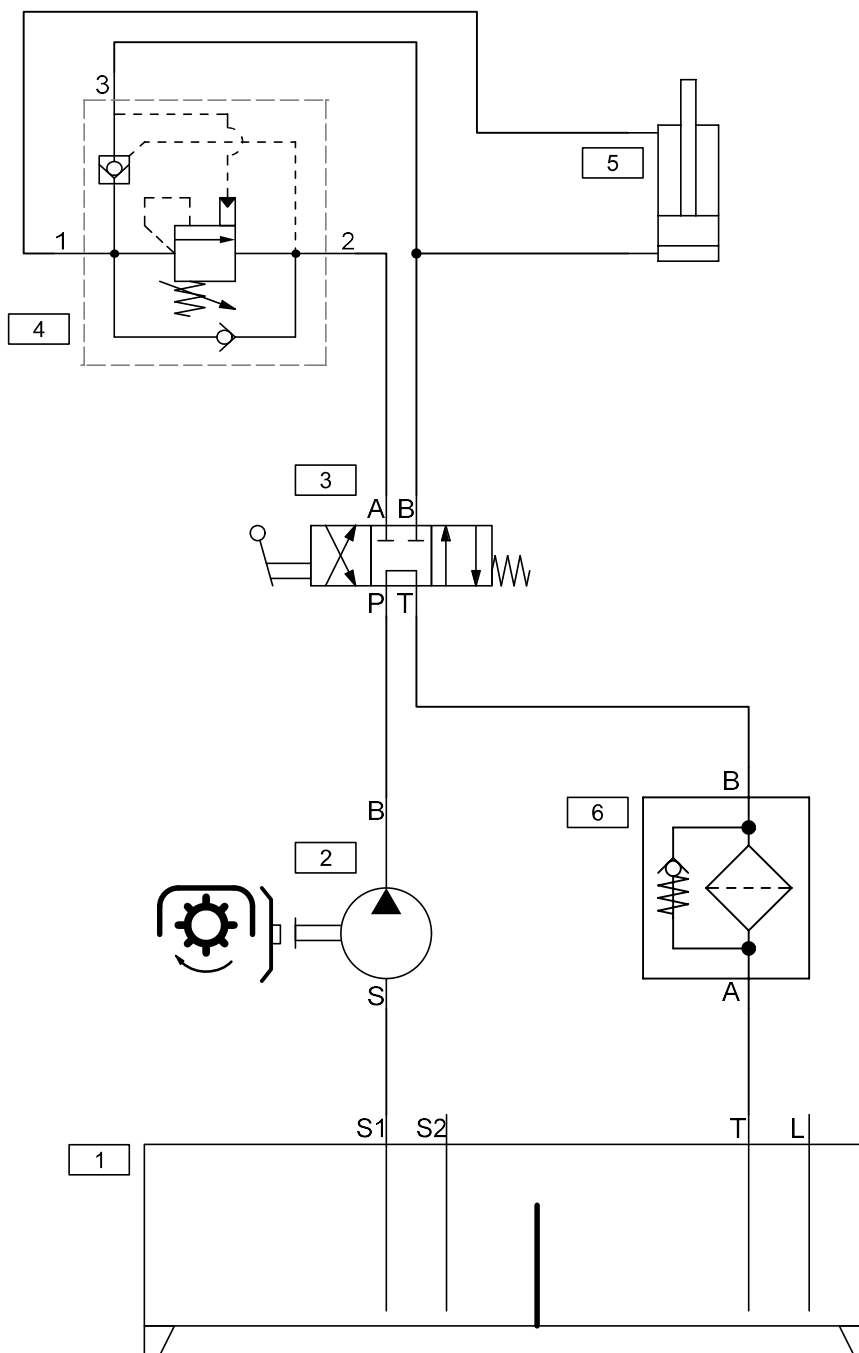
A


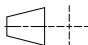
B

C

D

E



1	20170520							
Ind.	Change/Aend.	YYYYMMDD	Drawn/Gez.	Checked/Gepr.	Releas./Freig.	BWN	Resp. dept./Verantw. Abt.	Add. info./Zus. Info.
Lang./Spr.	Wght./Gew.	 CAMSA technics	Schema hidraulica despicator actionat de priza de putere tractor, cu circuit de regenerare					Sheet/Bl.
RO			Doc. type	pdf			DP/TD	Ind.
	Crit. P.	Scale/M.stab	Mat. meets/Stoffe s.	Syst.	Repl. for	Repl. by		
Format A4								